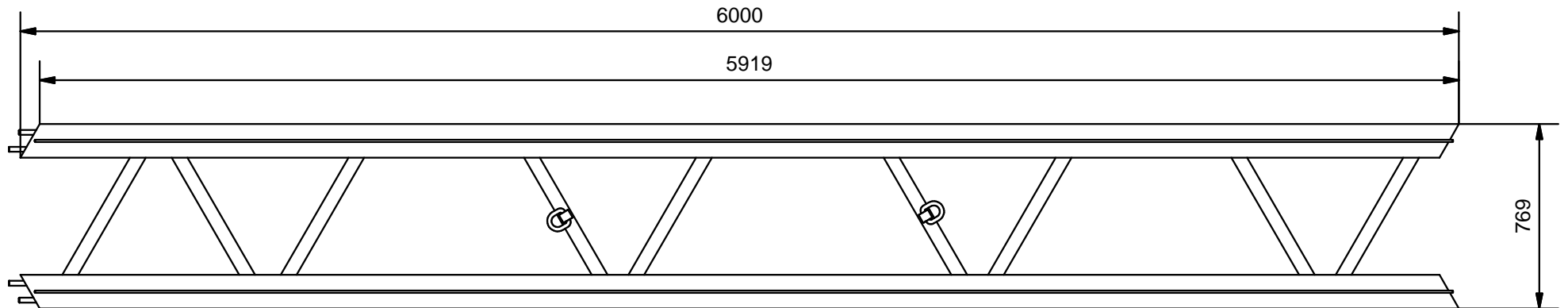
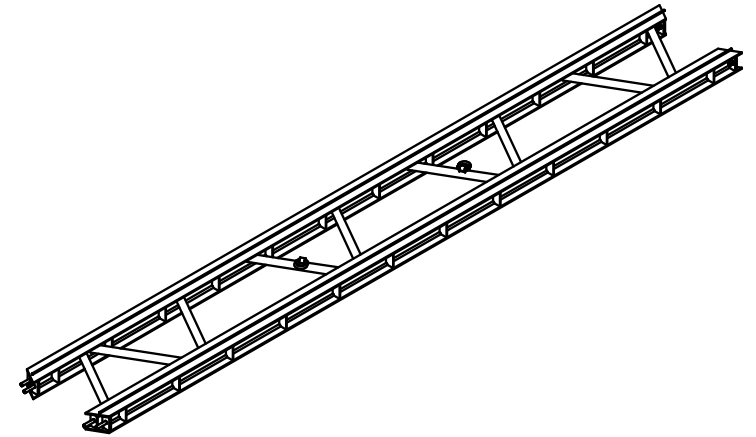
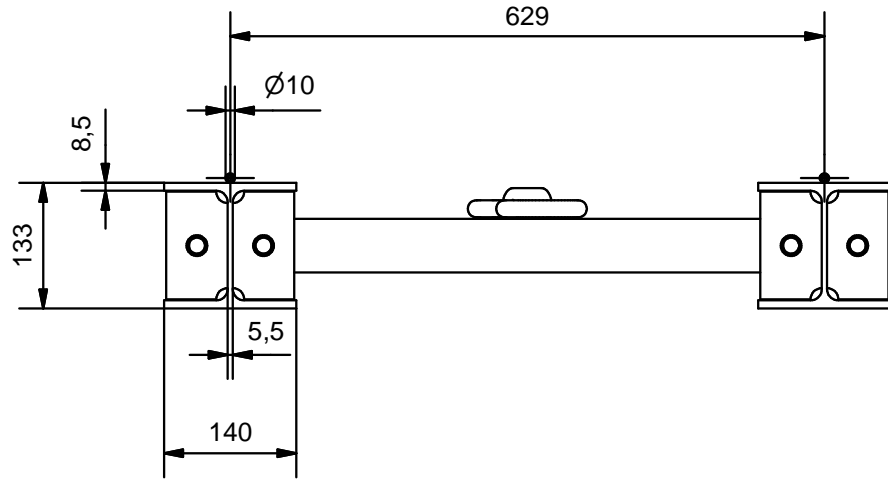


Features STSL60-6

Gantry Type:	SL60	
Self Weight:	364 kg	(803 lbs)

(1:8)



OPAALSTRAAT 44, 7554 TS HENGELO HOLLAND
PO BOX 421, 7550 AK HENGELO HOLLAND
TELEPHONE 074-2422045 FACSIMILE 074-2430338

ENERPAC 
COPYRIGHTS RESERVED

3rd ANGLE
PROJECTION



Model Number:
STSL60-6

Drawing Number:
02898.50.01.01

Main Assembly Number:
02898.01.01.01

REV.: 0	DATE: 31-10-2013	SCALE: 1:25	FORM: A4
------------	---------------------	----------------	-------------